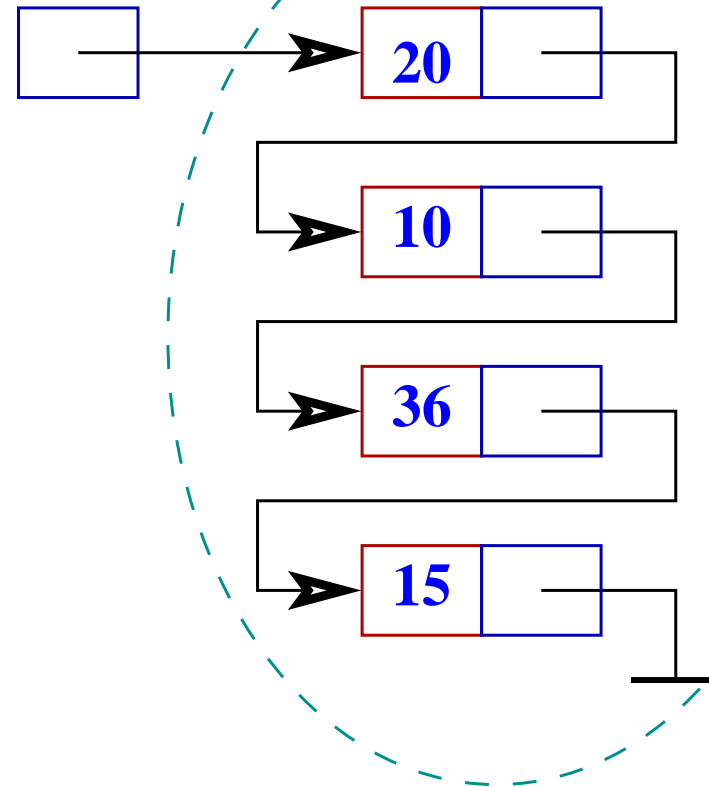


Stack & Queue on Self-Referencing Structures

Representation of Stack

```
struct stack {  
    int data ;  
    struct stack *next ;  
};  
typedef struct stackNode node, *stack ;
```

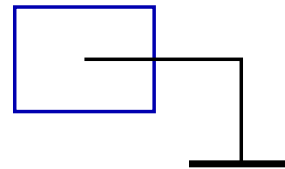
stack s



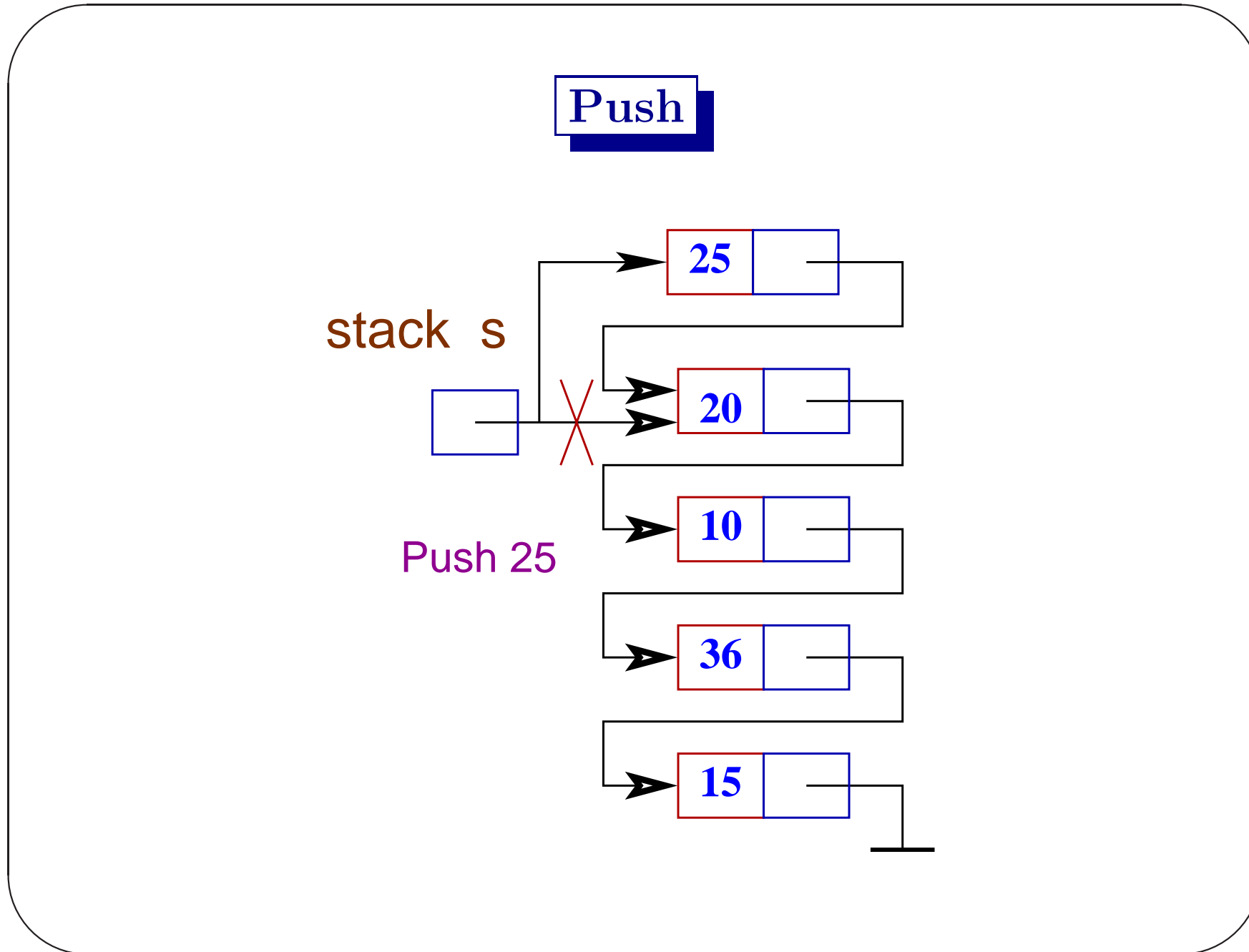
*Data Area
Dynamically Created*

Empty Stack

stack s

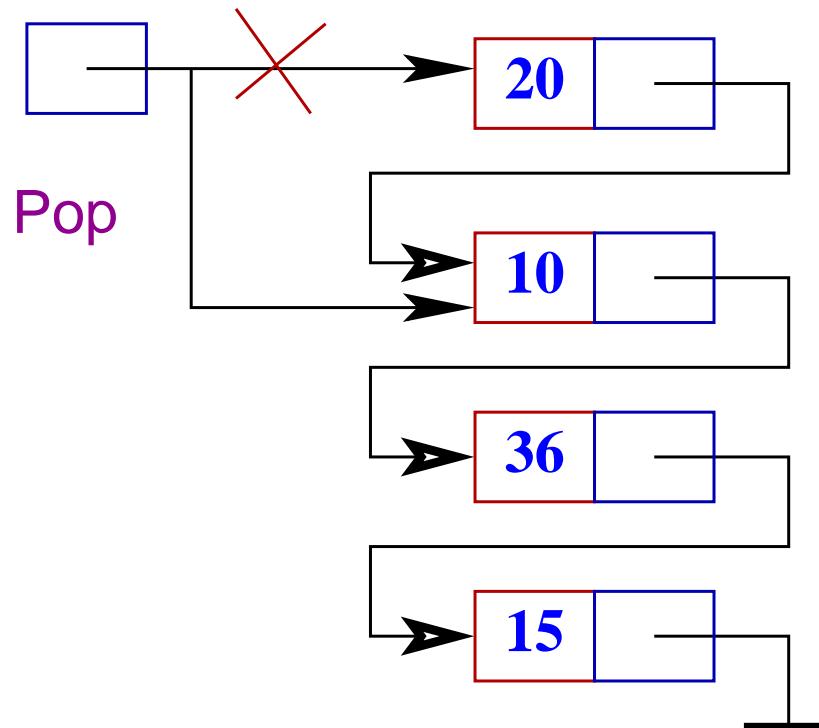


Empty Stack



Pop

stack s



Interface File: stackSR.h

```
#ifndef _STACKSR_H
#define _STACKSR_H

#include <stdio.h>
#include <stdlib.h>
#define ERROR 1
#define OK    0

struct stack { // stackSR.h
    int data ;
    struct stack *next ;
} ;
```

```
typedef struct stack node, *stack ;

#define INIT(s) ((s)=NULL)
#define ISEMPY(s) ((s) == NULL)
int push(stack * , int) ;
int pop(stack *) ;
int top(stack, int *) ;

#endif
```


Note

We macro define **INIT** and **ISEMPTY** as the code is very simple. We also could have done **inline function**.

Implementation File: stackSR.c

```
#include "stackSR.h"
int push(stack *s, int n) { // stackSR.c
    stack temp ;

    temp=(stack)malloc(sizeof(node)) ;
    if(temp == NULL) {
        printf("The STACK is full\n");
        return ERROR ;
    }
    temp->data=n;
    temp->next=*s ;
    *s = temp ;
```

```
    return OK ;
}

int pop(stack *s) {
    stack temp ;
    if(ISEMPTY(*s)) {
        printf("The STACK is empty\n");
        return ERROR ;
    }
    temp=*s;
    *s=(*s)->next ;
    free(temp) ;
    return OK ;
}
```

```
int top(stack s , int *val) {  
    if(ISEMPTY(s)) {  
        printf("The STACK is empty\n") ;  
        return ERROR ;  
    }  
    *val = s -> data ;  
    return OK ;  
}
```

User Program: testStackSR.c

```
#include <stdio.h>
#include "stackSR.h"

int main() // testStackSR.c
{
    stack s ;
    int x , err , val ;
    char c ;

    INIT(s);
    printf(" 'U' for push (U 15)\n '0' for pop\n 'T' for to
    printf(" 'E' for exit :\n");
```

```
while((c = getchar()) != 'e' && c != 'E')
    switch(c) {
        case 'u' :
        case 'U' :
                scanf("%d",&x);
                err = push(&s,x);
                break;

        case 'o' :
        case 'O' :
                err = pop(&s);
                break;

        case 't' :
        case 'T' :
                err = top(s , &val) ;
```

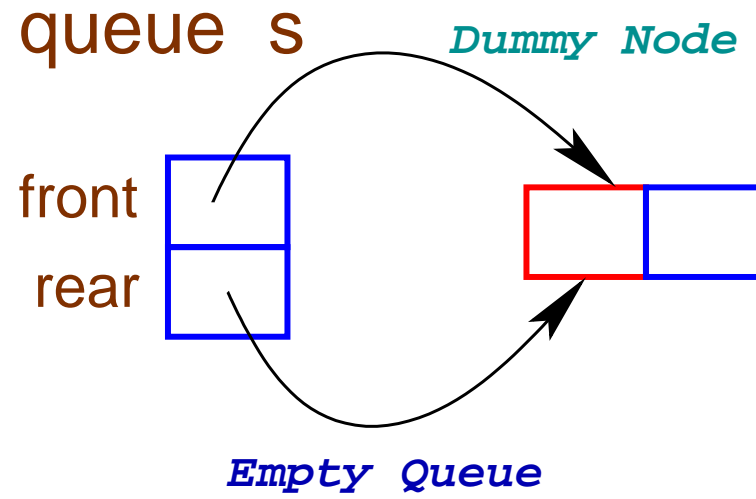
```
        if(!err) printf("%d\n", val);
        break;
    case '\n' :
    case '\t' :
    case ' ' :
        break;
    default :
        printf("Token Unknown\n");
    }
    return 0;
}
```

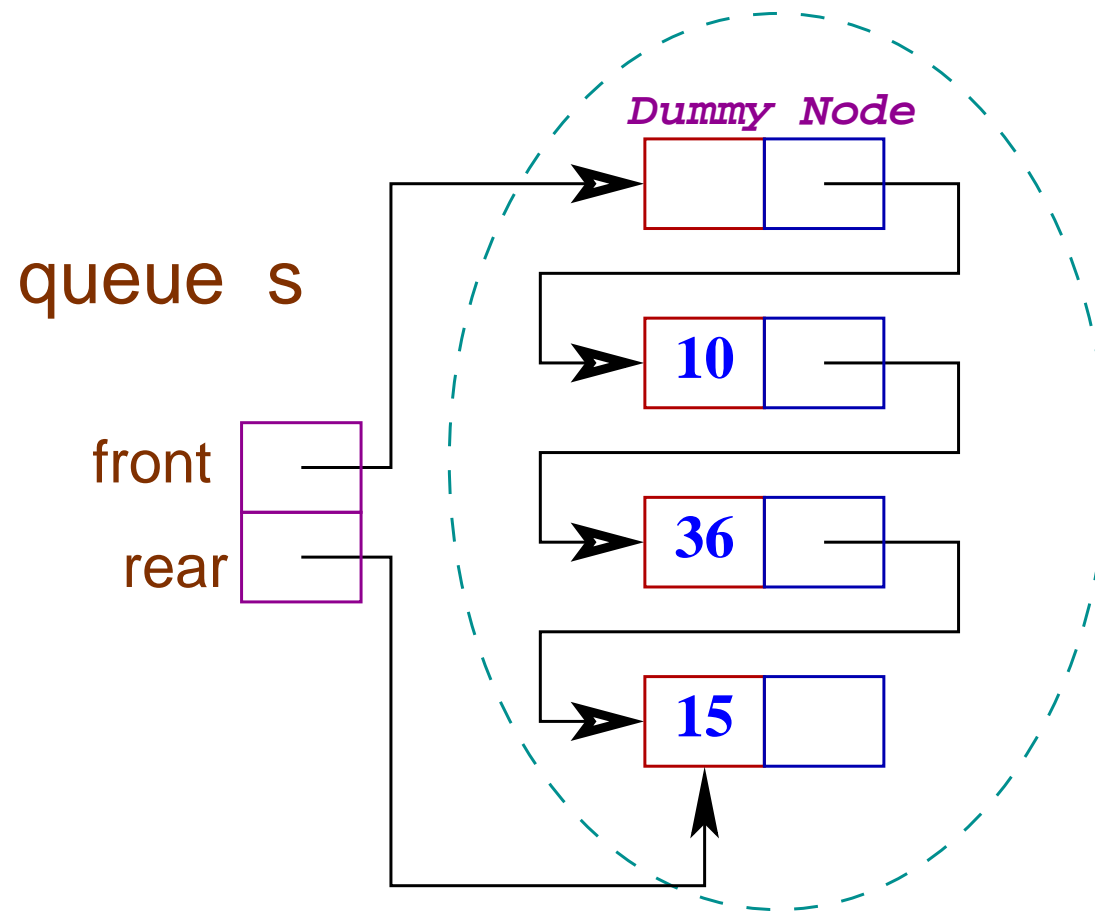
Representation of Queue

```
struct queue {  
    int data ;  
    struct queue *next ;  
};  
  
typedef struct {  
    struct queue *front, *rear ;  
} queue ;
```

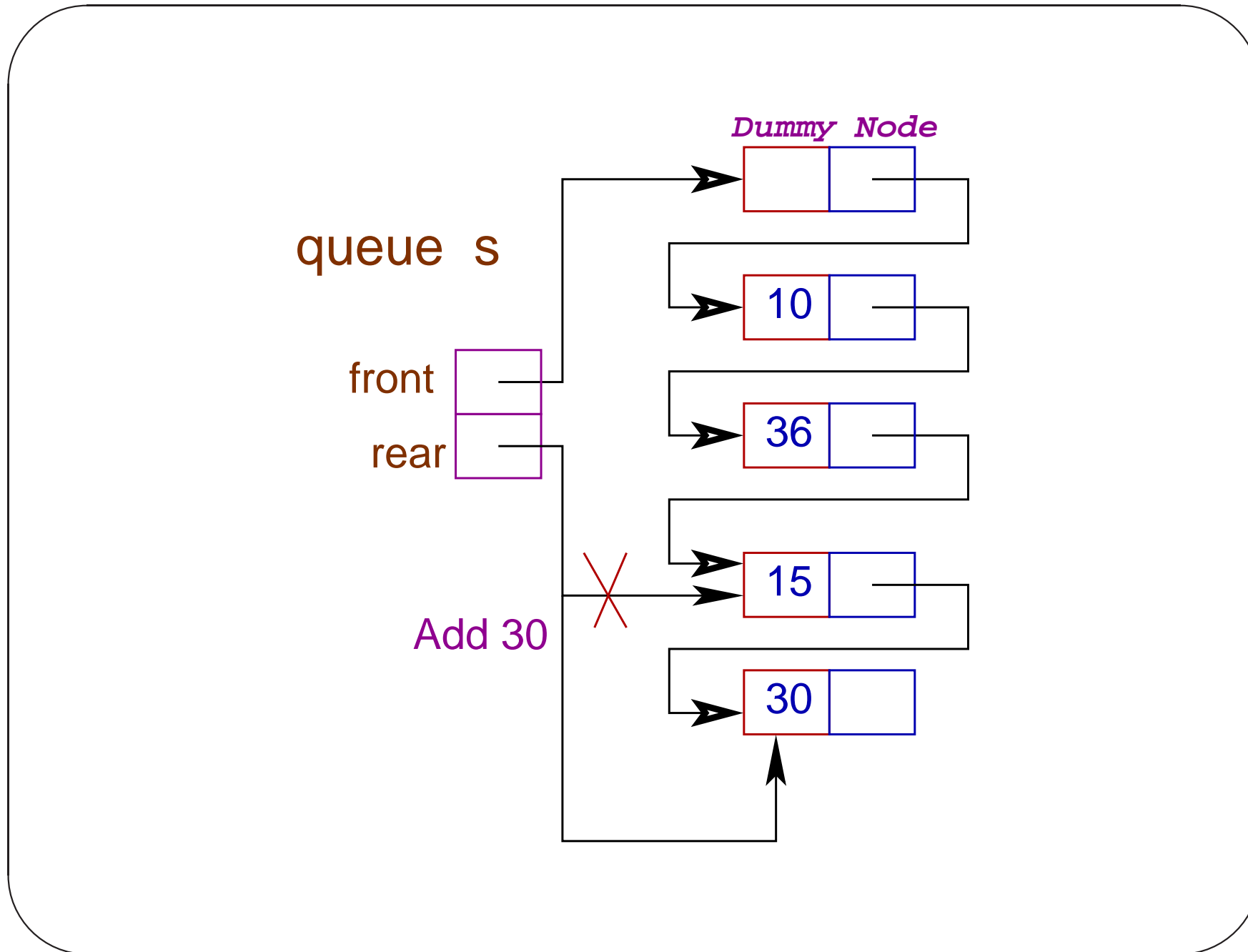

Note

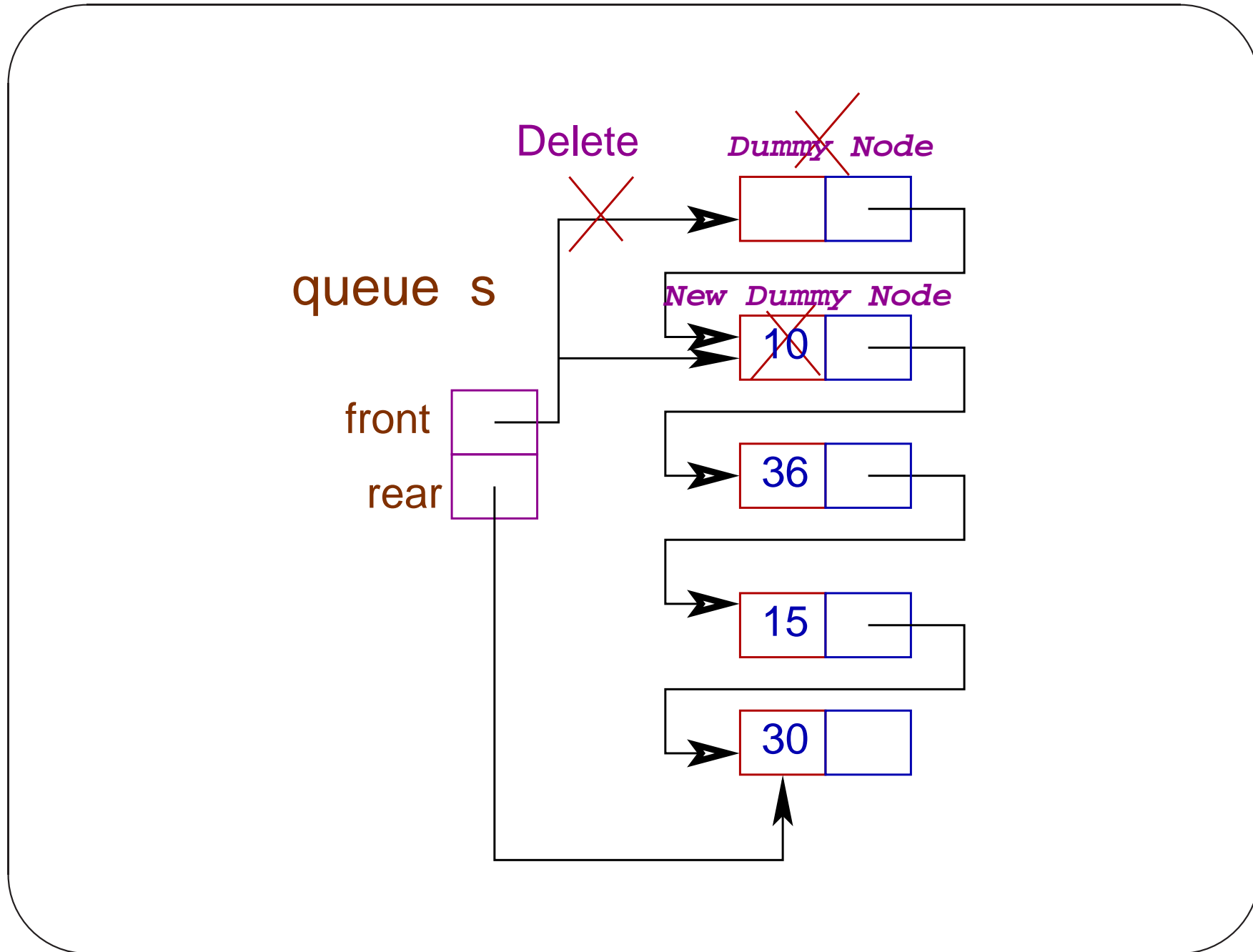
We use a **dummy node**. In an empty queue, both the **front** and the **rear** pointers points to the dummy node.





Dynamically Created Data Area





Interface File: queueSR.h

```
#ifndef _QUEUESR_H
#define _QUEUESR_H

#include <stdio.h>
#include <stdlib.h>
#define ERROR 1
#define OK 0

struct queue { // queueSR.h
    int data ;
    struct queue *next ;
};
```

```
typedef struct queue node;
typedef struct {
    struct queue *front, *rear ;
} queue ;

#define ISEMPTY(q) ((q).front == (q).rear)
void init(queue *) ;
int add(queue *, int) ;
int delete(queue *);
int front(queue, int *) ;
#endif
```

Implementation File: queueSR.c

```
#include "queueSR.h"
void init(queue *qP) { // queueSR.c
    node *temp ;
    temp = (node *)malloc(sizeof(node)) ;
    qP->front=qP->rear=temp ;
}

int add(queue *qP, int n) {
    node *temp ;

    temp=(node *)malloc(sizeof(node)) ;
    if(temp == NULL) return ERROR ;
```



```
temp->data=n; qP->rear->next=temp ;
qP->rear = temp ;
return OK ;
}

int front(queue q, int *v) {
    if(ISEMPTY(q)) return ERROR ;
    *v= q.front->next->data ;
    return OK ;
}

int delete(queue *qP) {
    node *temp ;
```

```
    if(ISEMPTY(*qP)) return ERROR ;  
    temp = qP->front ;  
    qP->front=qP->front->next ;  
    free(temp) ;  
    return OK ;  
}
```

User Program: testQueueSR.c

```
#include <stdio.h>
#include "queueSR.h"
int main() // testQueueSR.c
{
    queue q ;
    int x , err , val ;
    char c;

    init(&q);
    printf(" 'A' for add (A 15)\n") ;
    printf(" 'D' for delete\n 'F' for front\n 'E' for exit\n") ;
    while((c = getchar()) != 'e' && c != 'E')
```

```
        switch(c) {
case 'a' :
case 'A' :
        scanf("%d",&x);
        err = add(&q,x);
                if(err) printf("The Queue is full\n") ;
        break;

case 'd' :
case 'D' :
        err = delete(&q);
                if(err) printf("The Queue is empty\n") ;
        break;
```

```
case 'f' :
case 'F' :
    err = front(q , &val) ;
    if(err) printf("The Queue is empty\n") ;
    else printf("%d\n",val);
    break;

case '\n' :
case '\t' :
case ' ' :
    break;

default :
    printf("Token Unknown\n");
```

```
    }  
    return 0;  
}
```

Union Type

So far all our data are of single type. But it is possible to have data of any one of a few different types e.g. either of type `int` or of type `double`. The C language provides support to have data of type `union`.

Union Type: an Example

```
typedef union data {  
    int dataI;  
    double dataD;  
} intDouble;
```

A variable of type `union data` or `intDouble` can store either a value of type `int` or of type `double`. The allocated space is large enough to accommodate the data of the largest size. The fields are accessed like a structure.

Note

It is necessary to attach a **tag** to remember the type of the actual data present. We consider a **stack** of type **intDouble**.

Interface File: `stackU.h`

```
#ifndef _STACKU_H
#define _STACKU_H

#include <stdio.h>
#include <stdlib.h>
#define ERROR 1
#define OK    0

typedef struct { // stackU.h
    union data {
        int I;
        double D;
    };
};
```

```
        } data ;
        char type;
} intDouble;

struct stack {
    intDouble data ;
    struct stack *next ;
} ;
typedef struct stack node, *stack ;

#define INIT(s) ((s)=NULL)
#define ISEMPTY(s) ((s) == NULL)
int push(stack *, intDouble) ;
int pop(stack *) ;
```

```
int top(stack, intDouble *) ;
```

```
#endif
```

Implementation File: `stackU.c`

```
#include "stackU.h"

int push(stack *s, intDouble n) { // stackU.c
    stack temp ;

    temp=(stack)malloc(sizeof(node)) ;
    if(temp == NULL) {
        printf("The STACK is full\n");
        return ERROR ;
    }
    temp->data = n;
    temp->next=*s ;
```

```
    *s = temp ;  
    return OK ;  
}  
  
int pop(stack *s) {  
    stack temp ;  
    if(ISEMPTY(*s)) {  
        printf("The STACK is empty\n");  
        return ERROR ;  
    }  
    temp=*s;  
    *s=(*s)->next ;  
    free(temp) ;  
    return OK ;  
}
```

```
}
```

```
int top(stack s, intDouble *val) {  
    if(ISEMPY(s)) {  
        printf("The STACK is empty\n") ;  
        return ERROR ;  
    }  
    *val = s -> data;  
    return OK ;  
}
```

User Program: testStackU.c

```
#include <stdio.h>
#include "stackU.h"

int main() // testStackU.c
{
    stack s ;
    int err ;
    intDouble d;
    char c ;

    INIT(s);
    printf(" 'Ui' for push int (Ui 15)\n 'Uf' for push floa
```



```
printf(" '0' for pop\n 'T' for top \n 'E' for exit :\n")
while((c = getchar()) != 'e' && c != 'E')
    switch(c) {
    case 'u' :
    case 'U' :
        scanf("%c", &c);
        if(c == 'i' || c == 'I') {
            scanf("%d",&d.data.I);
            d.type = 'i';
        }
        else if(c == 'f' || c == 'F') {
            scanf("%lf",&d.data.D);
            d.type = 'f';
        }
    }
```

```
        err = push(&s,d);
        break;
    case 'o' :
    case '0' :
        err = pop(&s);
        break;
    case 't' :
    case 'T' :
        err = top(s , &d) ;
        if(!err) {
            if(d.type == 'i') printf("%d\n", d.d);
            if(d.type == 'f') printf("%f\n", d.d);
        }
        break;
```

```
    case '\n' :
    case '\t' :
    case ' '  :
                break;
    default :
                printf("Token Unknown\n");
        }
    return 0;
}
```